

HIGH PRECISION GNSS ANTENNA FOR SURVEYING APPLICATIONS

Product Description

MG3703A is a high performance survey GNSS antenna which offers superior satellite signal tracking, can receive Beidou, GPS and GLONASS signals. It meets the requirements of high precision and multi constellation compatibility and can be used with a variety of receivers for a variety of scenarios, such as mobile mapping, precision agriculture, etc.

Application Field

The antenna can be used with a variety of satellite navigation receivers, and is widely used in fields such as geodetic surveying and mapping, channel surveying and mapping, precision agriculture and marine surveying, and can also be selected for use in the military field according to application conditions.

KEY FEATURES

- Supports BD B1/B2/B3, GPS L1/L2, GLONASS L1/L2 signal reception
- Stable phase center guarantees the accuracy of positioning within millimeter-level
- Strong Anti-interference Performance
- High gain, miniaturization, high sensitivity
- IP67 ruggedized design can protect product from dust and water



GEODETIC ANTENNA MG3703A



PERFORMANCE

Signal Received		Noise Figure	≤2.0dB
GPS	L1/L2	Operation Voltage	3-15 VDC
GLONASS	L1/L2	Operation Current	≤45mA
BDS	B1/B2/B3		
VSWR	≤2.0	MECHANICAL	
Gain	4.5dBi	Dimensions	Φ100×36.5mm
Antenna AR	≤3.0dB	Connector	TNC-K
Phase Center Error	±2mm	ENVIRONMENTAL	
Polarization	RHCP	Temperature	
Port Impedance	50Ω	Operating	-40℃ to +70℃
LNA Gain	40±2dB	Storage	-55℃ to +85℃
		Waterproof Grade	IP67

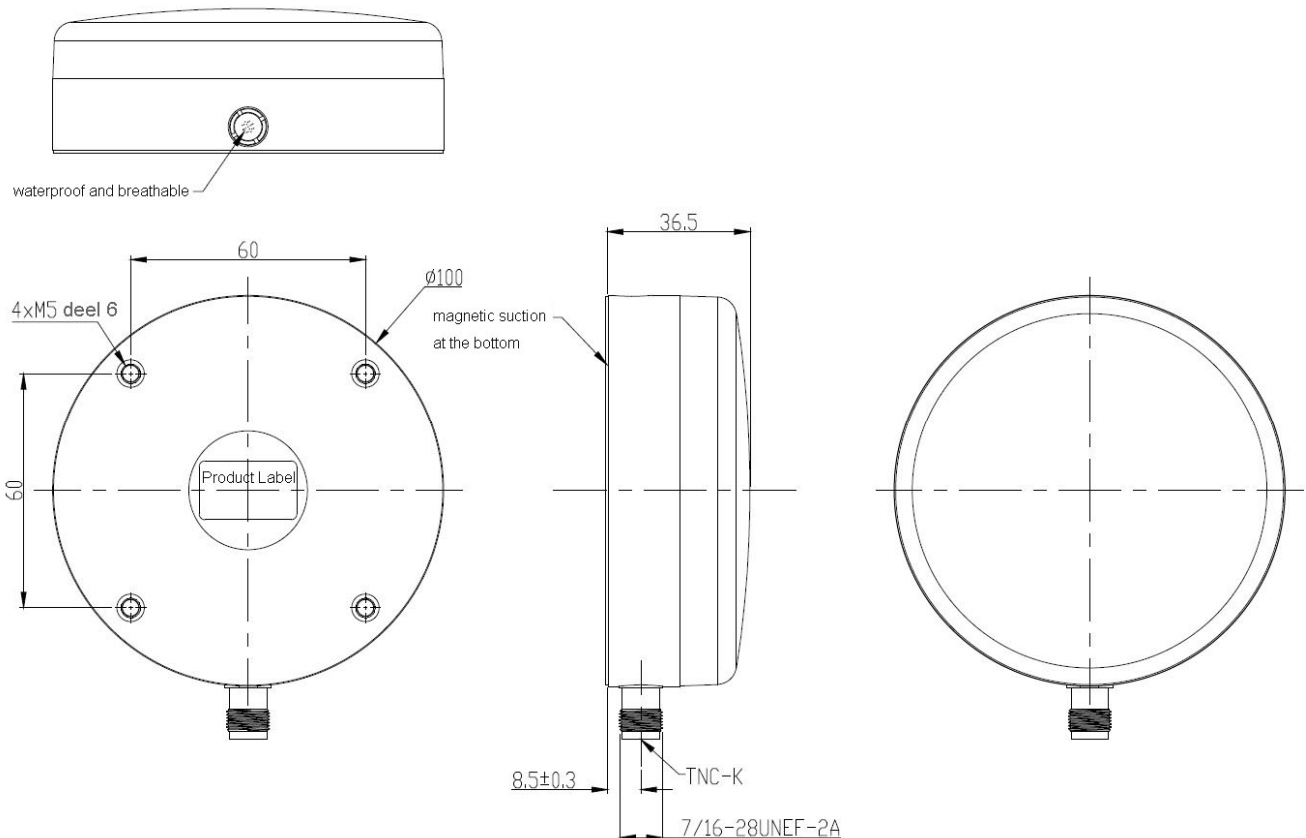
Guangdong MIDE Communication
Technology CO.,Ltd.

www.mide-act.com
sales@mide-act.com

Room 405, Building 7, NO.1 XueFu
Road, Songshan Lake District,
Dongguan City, Guangdong Province,
China.

Tel: +86-0769-23329096
Fax: +86-0769-23329020

Structure & Phase Center Drawing (mm)



Undeclared tolerance: ±0.3mm