

HELIX ANTENNA MH4N12A



HIGH PRECISION HELIX ANTENNA FOR POSITIONING APPLICATIONS

Product Description

MH4N12A is a four-star full frequency spiral antenna, which has the characteristics of small size, high positioning accuracy and light weight, can effectively meet the needs of users.

Application Field

The antenna can be used with a variety of receivers, and is widely used in fields such as drones, handheld terminal equipment and small RTK equipment, and can also be selected for use in the military field according to application conditions.

KEY FEATURES

- Supports GPS L1/L2、GLONASS L1/L2、BD B1/B2/B3 signal reception
- High precision, high sensitivity and high reliability
- Small size, weight less than or equal to 30g
- Movable shaft design, can move 90 degrees



HELIX ANTENNA MH4N12A



PERFORMANCE

Signal Received	
GPS	L1/L2
GLONASS	L1/L2
BDS	B1/B2/B3
GALILEO	E1/E2/E5a/E5b
VSWR	≤ 1.8
Maximum Gain	2.5dBi
Antenna AR	≤3.0dB
Polarization	RHCP
Port Impedance	50Ω
LNA Gain	33±2dB
Noise Figure	≤1.8dB

Operation Voltage	3.0-12 VDC
Operation Current	≤42mA

MECHANICAL

Dimensions	Φ27.5×105.6mm
Connector	SMA-J

ENVIRONMENTAL

Temperature	
Operating	-40°C to +70°C
Storage	-55°C to +85°C

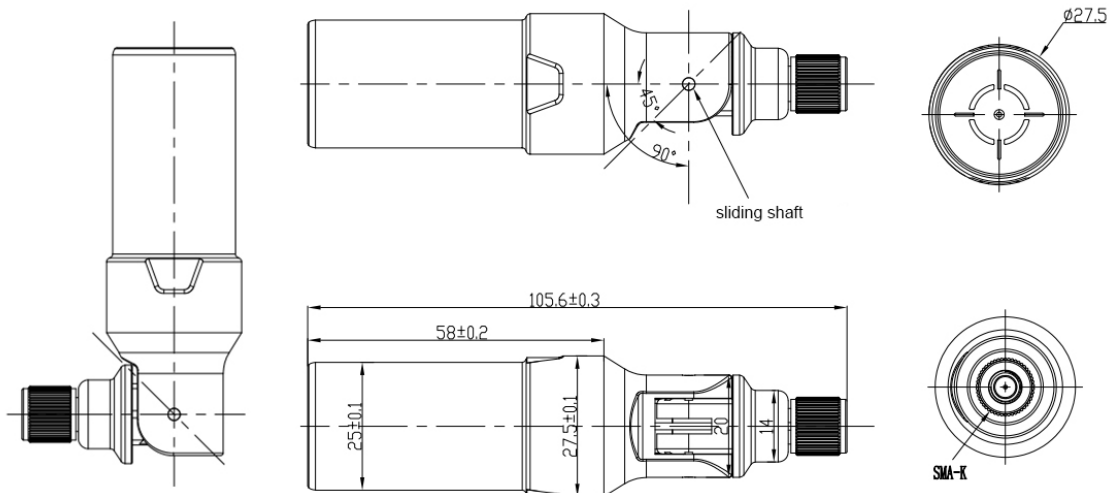
Guangdong MIDE Communication Technology CO.,Ltd.

www.mide-act.com
sales@mide-act.com

Room 405, Building 7, NO.1 XueFu Road, Songshan Lake District, Dongguan City, Guangdong Province, China.

Tel: +86-0769-23329096
 Fax: +86-0769-23329020

Structure & Phase Center Drawing (mm)



Undeclared tolerance: ± 0.3 mm