

CHOKERING ANTENNA MC4N04A



HIGH PRECISION GNSS ANTENNA FOR SURVEYING APPLICATIONS

Product Description

MC4N04A is a four-star full frequency reference station antenna, can be used with a variety of satellite navigation receivers. With the characteristics of high gain, high precision, multi-system compatibility and high reliability, it can effectively meet the requirements of users. Widely used in geospatial, precision agriculture, deformation monitoring and disaster monitoring.

Application Field

The antenna can be used with a variety of satellite navigation receivers, and is widely used in fields such as geodetic surveying and mapping, channel surveying and mapping, precision agriculture, deformation monitoring and geological disaster monitoring, and can also be selected for use in the military field according to application conditions.

KEY FEATURES

- Fully support GPS, GLONASS, GALILEO, BDS four global satellite navigation systems
- Wide frequency range, good signal coverage
- Unique waterproof and dustproof design, can work in outdoor long-term stability
- The low noise amplifier with pre-filter technology improves the anti-interference ability of the system
- The 3D choke antenna adopts four-feed microstrip antenna technology to ensure the coincidence between the phase center and the geometric center of the antenna, and has strong resistance to multipath effect



CHOKE RING ANTENNA MC4N04A



PERFORMANCE

Signal Received	
GPS	L1/L2/L5
GLONASS	L1/L2
BDS	B1/B2/B3
GALILEO	E1/E2/E5a/E5b
Output Voltage VSWR	<2.0
Antenna Beam Range	
Position	0°-360°
Pitch	10°-90°
Maximum Gain	6.0dBi
Antenna AR	≤3.0dB
Phase Center Error	±1mm
Polarization	RHCP
Port Impedance	50Ω
LNA Gain	50±2dB

In-band Flatness	±2dB
Noise Figure	≤2.0dB
Differential Delay	≤5ns
Operation Voltage	3.3-12 VDC
Operation Current	≤50mA

MECHANICAL

Dimensions	Φ379.5×296.5mm
Connector	TNC-K
Waterproof Level	IP67

ENVIRONMENTAL

Temperature	
Operating	-45℃ to +85℃
Storage	-55℃ to +85℃
Humidity	95% non-condensing

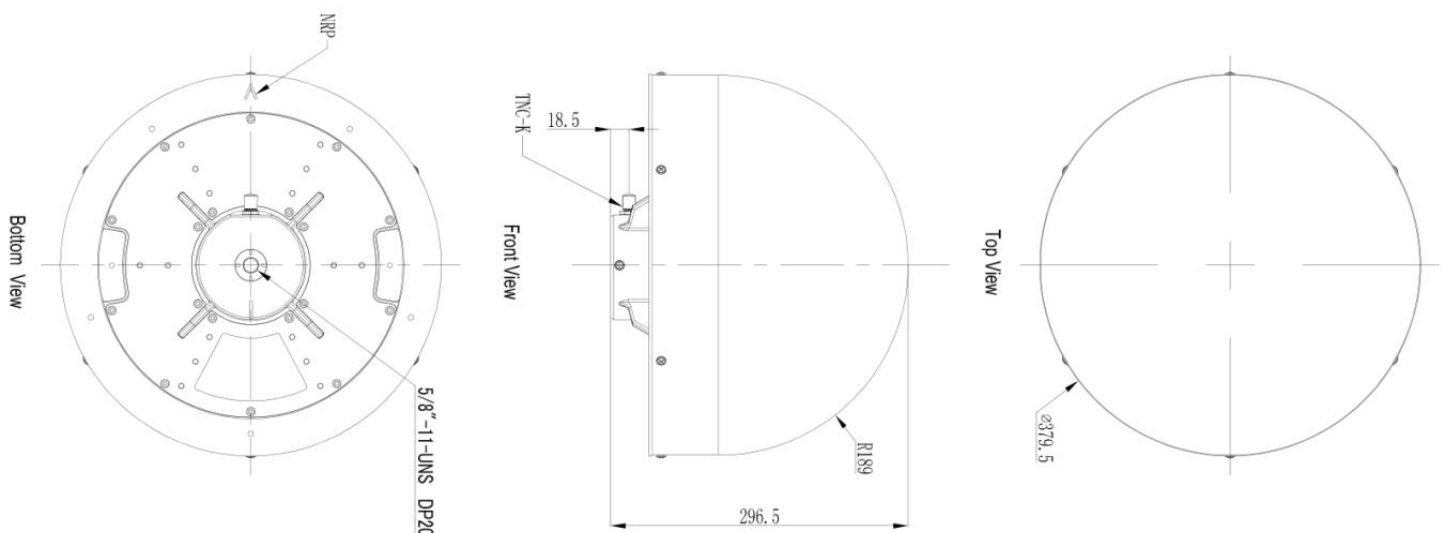
Guangdong MIDE Communication Technology CO.,Ltd.

www.mide-act.com
sales@mide-act.com

Room 405, Building 7, NO.1 XueFu Road, Songshan Lake District, Dongguan City, Guangdong Province, China.

Tel: +86-0769-23329096
Fax: +86-0769-23329020

Structure & Phase Center Drawing (mm)



Undeclared tolerance: ±0.3mm