

HIGH-PERFORMANCE GNSS RECEIVER FOR POSITIONING APPLICATIONS

Product Description

The MRX200 is a highly integrated receiver that can be connected to external sensors. Support mobile station and base station two working modes, support MQTT, NTRIP and TCP communication. The product is mainly used in geological disaster monitoring, deformation monitoring and other fields, high precision, high reliability.

Application Field

- Robot high-precision positioning solution
- Precision agriculture mobile station and base station
- Vehicle-mounted, ship-borne equipment
- Geological disaster monitoring

KEY FEATURES

- Multi-system and multi-frequency high-precision satellite antenna and board are used to provide high-quality original data to the server
- Highly integrated, supports firmware upgrade and can be connected to external sensors
- All-weather real-time automatic monitoring can meet the needs of users to master the instantaneous deformation of the monitored body in real time
- Integrated design simplifies installation process



GNSS RECEIVER MRX200



PERFORMANCE

| | |
|-----------------------------|--------------------------|
| Signal Received | |
| GPS | L1, L1C, L2C, L2P, L5 |
| GLONASS | G1, G2, G3* |
| BDS-2 | B1I, B2I, B3I |
| BDS-3 | B1I, B3I, B1C, B2a, B2b* |
| GALILEO | E1, E5a, E5b, E6C * |
| QZSS | L1, L2C, L5* |
| SBAS | L1* |
| RTK | |
| Frequency | Maximum 20Hz |
| Lock Time | < 10 sec |
| Direction Finding | |
| Accuracy | 0.2 degrees/1m baseline |
| Antenna AR | ≤3.0dB |
| Positioning Accuracy | |
| Single Point Positioning | 1.5m CEP |
| RTK | 0.02m + 1ppm CEP |
| Speed Accuracy(RMS) | 0.03m/s |
| Data Rate (max) | 20Hz |

COMMUNICATION LINK

| | |
|--------------|-------------------------|
| 4G | Mobile, Unicom, Telecom |
| Radio | External Radio |

MECHANICAL

| | |
|---------------------------------------|----------------|
| Dimensions | Φ191×129mm |
| Radio Antenna Connector | TNC (Female) |
| Weight | ≈3kg |
| Waterproof and Dustproof Grade | IP67 |
| Operating Voltage | 9~30V |
| Power Consumption (typ.) | |
| Built-in radio (4W) | 12V DC |
| Built-in 4G module (5W) | 12V DC |

ENVIRONMENTAL

| | |
|--------------------|--------------------|
| Temperature | |
| Operating | -20℃ to +85℃ |
| Storage | -40℃ to +85℃ |
| Humidity | 95% non-condensing |

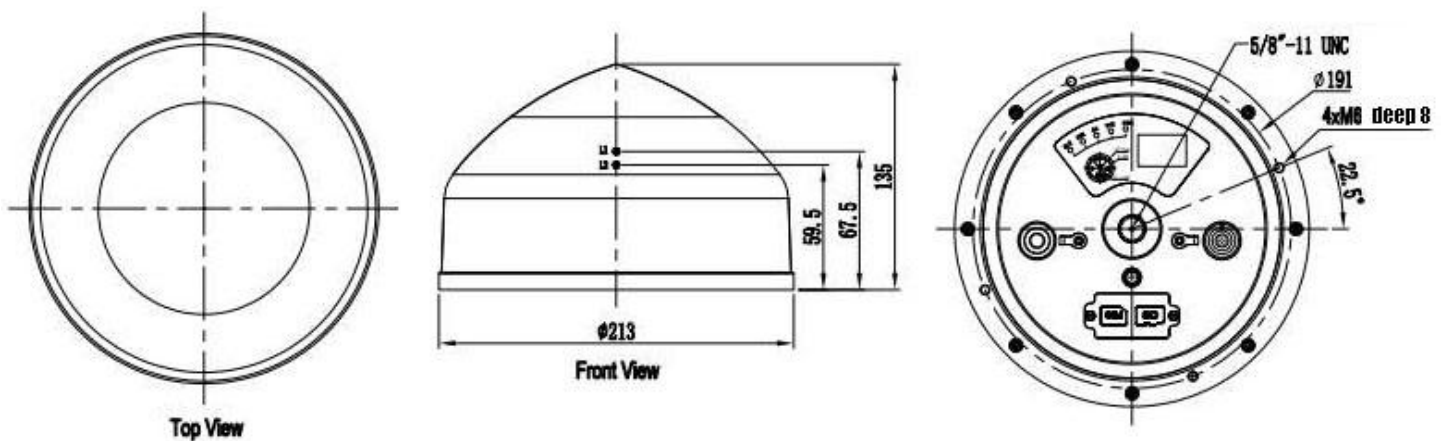
Guangdong MIDE Communication Technology CO.,Ltd.

www.mide-act.com
sales@mide-act.com

Room 405, Building 7, NO.1 XueFu Road, Songshan Lake District, Dongguan City, Guangdong Province, China.

Tel: +86-0769-23329096
Fax: +86-0769-23329020

Structure & Phase Center Drawing (mm)



Undeclared tolerance: ±0.3mm