

HIGH PRECISION AVIATION ANTENNA FOR POSITIONING APPLICATIONS

Product Description

MA3602A is a high gain, low wind resistance type aerial antenna, It has the characteristics of miniaturization, high sensitivity, multi-system compatibility and high reliability, and can effectively meet the needs of users.

Application Field

The antenna can be used with a variety of satellite navigation receivers to meet the requirements for positioning and speed measurement of moving carriers in a high dynamic environment, and is widely used in navigation scheduling, tracking and monitoring, measurement and control, and military fields.

KEY FEATURES

- Support GPS+ GLONASS+ Beidou signal reception
- Streamlined appearance, delicate and small, light weight, reliable structure
- Low power consumption, high sensitivity, high reliability
- Adopt integral waterproof design, waterproof grade reaches IP67



AVIATION ANTENNA MA3602A



PERFORMANCE

Signal Received	
GPS	L1/L2
GLONASS	L1/L2
BD	B1/B2
VSWR	≤3.0
Maximum Gain	3.0dBi
Antenna AR	
Elevation Angle 90°	≤3.0dB
Polarization	RHCP
Port Impedance	50Ω
LNA Gain	30±2dB
In-band Flatness	±2dB
Noise Figure	≤2.0dB
Operation Voltage	3.3-12 VDC

Operation Current ≤45mA

MECHANICAL

Dimensions	
Without Connector	86.35×55.7×32mm
Connector	TNC-K
Weight	≤135g
Color	
Upper Cover	White
Pedestal	Silver

ENVIRONMENTAL

Temperature	
Operating	-40℃ to +85℃
Storage	-55℃ to +85℃
Relative Humidity	95%

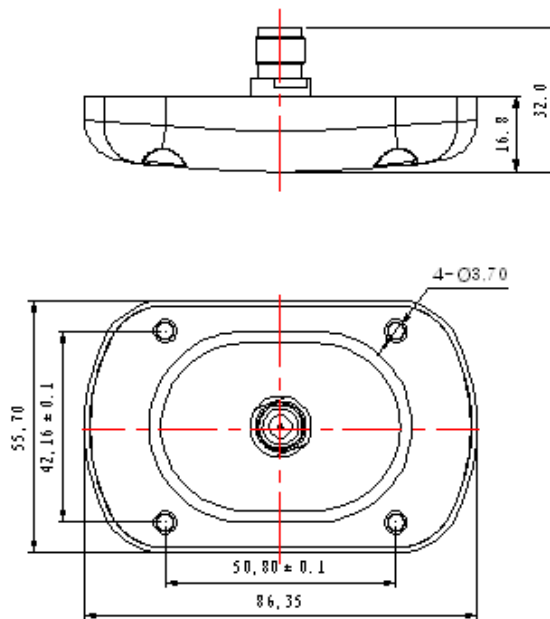
Guangdong MIDE Communication
Technology CO.,Ltd.

www.mide-act.com
sales@mide-act.com

Room 405, Building 7, NO.1 XueFu
Road , Songshan Lake District ,
Dongguan City, Guangdong Province,
China.

Tel: +86-0769-23329096
Fax: +86-0769-23329020

Structure& Phase Center Drawing (mm)



Undeclared tolerance:±0.3mm