

HIGH PRECISION AVIATION ANTENNA FOR POSITIONING APPLICATIONS

Product Description

MA3704A built-in low noise amplifier module, pre-stage multistage filter to filter interference signals, to ensure normal work in the harsh electromagnetic environment, small size, light weight, can be widely used in deformation monitoring vehicle high precision applications and other fields.

Application Field

The antenna can be used with a variety of satellite navigation receivers to meet the requirements for positioning and speed measurement of moving carriers in a high dynamic environment, and is widely used in navigation scheduling, tracking and monitoring, measurement and control, and military fields.

KEY FEATURES

- Support GPS+ GLONASS+ Beidou signal reception
- High gain, low wind resistance, low power consumption
- Compact size, exquisite appearance, high sensitivity
- Reliable structure, with a patent design of waterproof and breathable process, protection class up to IP67



AVIATION ANTENNA MA3704A



PERFORMANCE

Signal Received	
GPS	L1/L2
GLONASS	L1/L2
BDS	B1/B2/B3
VSWR	≤2.0
Gain	4.0dBi
Antenna AR	
Elevation Angle 90°	≤3.0dB
Polarization	RHCP
Port Impedance	50Ω
LNA Gain	35±2dB
In-band Flatness	±2dB
Noise Figure	≤2.0dB
Operation Voltage	3.3-12 VDC

Operation Current ≤45mA

MECHANICAL

Dimensions	
Without Connector	Φ90×27mm
Connector	TNC -K
Weight	≤150g
Color	
Upper Cover	White
Pedestal	Silver

ENVIRONMENTAL

Temperature	
Operating	-40℃ to +85℃
Storage	-55℃ to +85℃
Relative Humidity	95%

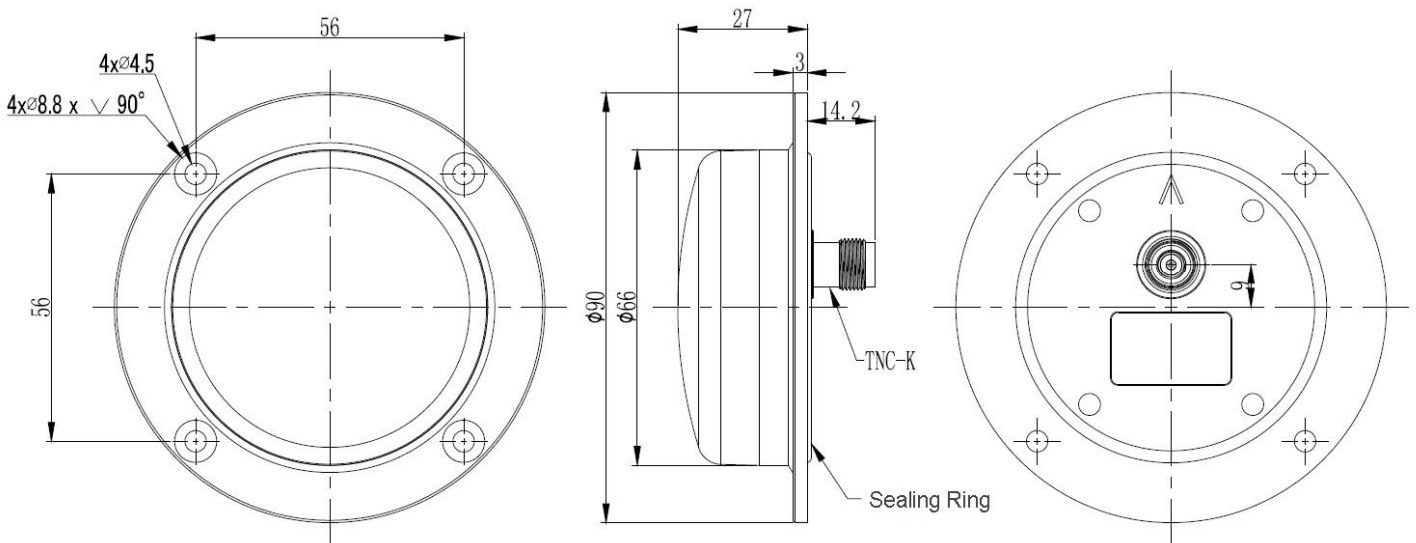
Guangdong MIDE Communication
Technology CO.,Ltd.

www.mide-act.com
sales@mide-act.com

Room 405, Building 7, NO.1 XueFu
Road , Songshan Lake District ,
Dongguan City, Guangdong Province,
China.

Tel: +86-0769-23329096
Fax: +86-0769-23329020

Structure & Phase Center Drawing (mm)



Undeclared tolerance: ±0.3mm