

# TIMING ANTENNA MT2201A



## HIGH-PERFORMANCE TIMING ANTENNA FOR COMMUNICATION APPLICATIONS

### Product Description

MT2201A is an integrated timing antenna that provides precise clock signals, recovers timing and positioning data for timing reference and phase synchronization. It mainly solves the signal reception problem of crowded base stations with serious interference problems.

### Application Field

The antenna can be used with a variety of satellite timing receivers, and is widely used in communications, electric power, precision agriculture and ocean fields, and can also be used in military fields according to application conditions.

### KEY FEATURES

- Wideband coverage and time synchronization
- High quality with industry-leading out-of-band rejection
- Superior out-of-band rejection – Proprietary filtering design allows wideband coverage for all GNSS frequencies
- High performance – 40 dB LNA gain; low noise < 2.5 dB



# TIMING ANTENNA MT2201A



## PERFORMANCE

Frequency Range	1559 ~ 1606MHz
Maximum Gain	4dBi
Antenna AR	≤3.0dB
VSWR	≤1.8
Polarization	RHCP
Port Impedance	50Ω
LNA Gain	40±4dB
Noise Figure	≤2.5
Operation Voltage	3.3 ~ 12VDC
Operation Current	≤30mA@5V
Lightning Protection Performance	
Built-in lightning protection tube. During installation, external lightning protection cables are	

required to be installed outdoors to prevent current damage to base station equipment when the cables are struck by lightning.

## MECHANICAL

### Dimensions

Without Connector  $\Phi 95 \times 89 \text{mm}$

Connector N-K

## ENVIRONMENTAL

### Temperature

Operating  $-40^{\circ}\text{C}$  to  $+70^{\circ}\text{C}$

Storage  $-55^{\circ}\text{C}$  to  $+85^{\circ}\text{C}$

Waterproof Grade IP67

Guangdong MIDE Communication Technology CO.,Ltd.

[www.mide-act.com](http://www.mide-act.com)

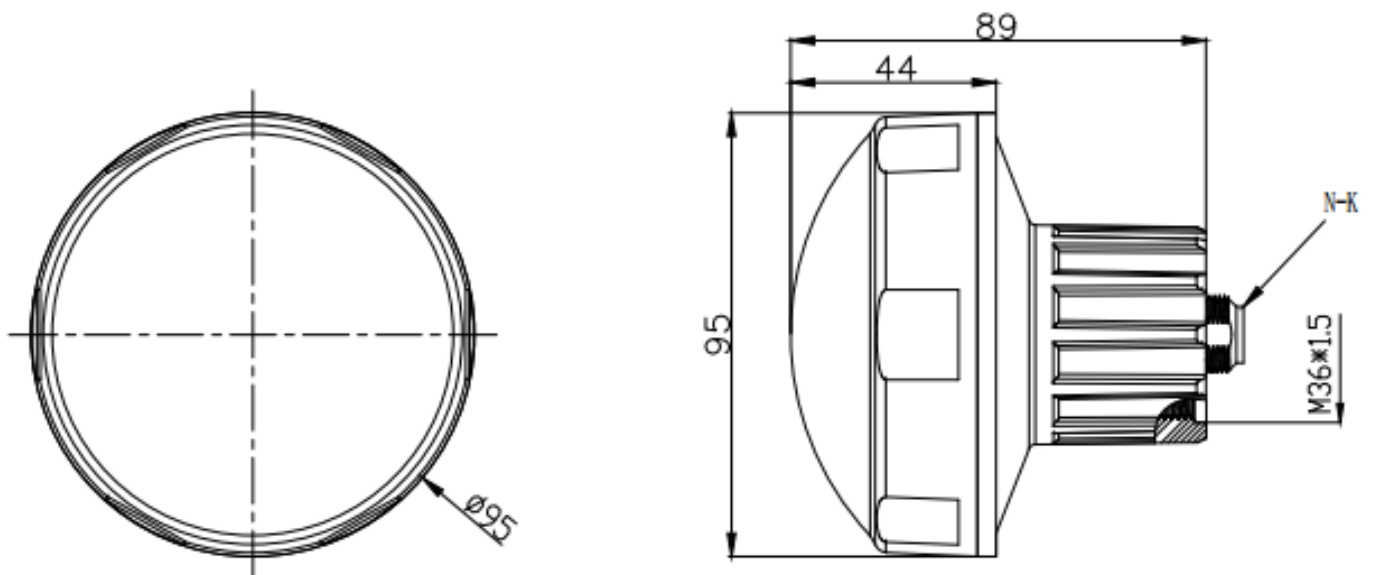
[sales@mide-act.com](mailto:sales@mide-act.com)

Room 405, Building 7, NO.1 XueFu Road, Songshan Lake District, Dongguan City, Guangdong Province, China.

Tel: +86-0769-23329096

Fax: +86-0769-23329020

## Structure & Phase Center Drawing (mm)



Undeclared tolerance:  $\pm 0.3 \text{mm}$