

HIGH-PERFORMANCE TIMING ANTENNA FOR COMMUNICATION APPLICATIONS

Product Description

MT3301A is a kind of timing antenna, which has the characteristics of high gain, miniaturization, high sensitivity, multi-system compatibility and high reliability, and can effectively meet the needs of users.

Application Field

The antenna can be used with a variety of satellite timing receivers, and is widely used in communications, electric power, precision agriculture and ocean fields, and can also be used in military fields according to application conditions.

KEY FEATURES

- Supports 1159 ~ 1610.5MHz signal reception
- High gain, UV protection, lightning protection, IP65 waterproof, easy to install
- High quality, with industry leading out-of-band inhibition
- Designed for safety, with transient voltage suppression and reverse polarity and electrostatic discharge (ESD) protection



TIMING ANTENNA MT3301A



PERFORMANCE

Frequency Range	1559 ~ 1610.5MHz
Maximum Gain	≥4dBi
Elevation Angle 10°	≥-3.0dBi
VSWR	≤1.8
Polarization	RHCP
Port Impedance	50Ω
LNA Gain	34±2dB
Noise Figure	≤3
Operation Voltage	5±1VDC
Operation Current	≤35mA@5V
Lightning Protection Performance	
Built-in lightning protection tube. During installation, external lightning protection cables are	

required to be installed outdoors to prevent current damage to base station equipment when the cables are struck by lightning.

MECHANICAL

Dimensions

Without Connector $\Phi 115 \times 116 \text{mm}$

Connector N-K

ENVIRONMENTAL

Temperature

Operating -40°C to +70°C

Storage -55°C to +85°C

Waterproof Grade IP65

Guangdong MIDE Communication Technology CO.,Ltd.

www.mide-act.com

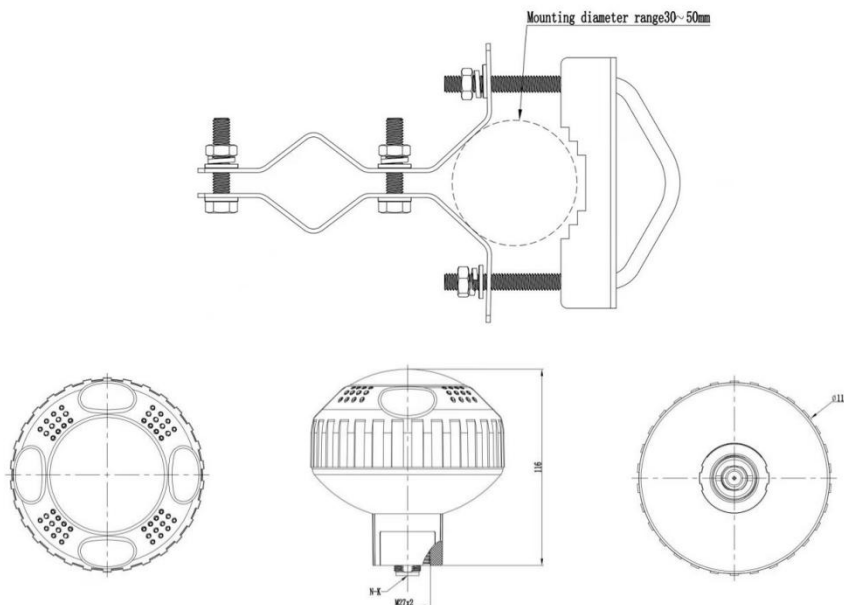
sales@mide-act.com

Room 405, Building 7, NO.1 XueFu Road, Songshan Lake District, Dongguan City, Guangdong Province, China.

Tel: +86-0769-23329096

Fax: +86-0769-23329020

Structure & Phase Center Drawing (mm)



Undeclared tolerance: ±0.3mm