

HIGH-PERFORMANCE TIMING ANTENNA FOR COMMUNICATION APPLICATIONS

Product Description

MT4401A is a four-star four-frequency timing antenna, which has the characteristics of high gain, miniaturization, high sensitivity, multi-system compatibility and high reliability. can provide accurate satellite clock for base stations, power equipment, agriculture, navigation equipment, etc., especially for mobile communication to provide high-precision clock synchronization signal.

Application Field

The antenna can be used with a variety of satellite timing receivers, and is widely used in communications, electric power, precision agriculture and ocean fields, and can also be used in military fields according to application conditions.

KEY FEATURES

- High gain, wide pattern beam, good reception at low elevation Angle
- The low noise coefficient of the amplifier ensures the high SNR of the receiver
- Built-in lightning protection circuit, effectively protect the internal circuit from lightning damage
- High sensitivity, high reliability, IP67 waterproof, easy installation



TIMING ANTENNA MT4401A



PERFORMANCE

Frequency Range	1559 ~ 1610.5MHz
Maximum Gain	≥3dBi
Elevation Angle 10°	≥-3.0dBi
VSWR	≤1.8
Polarization	RHCP
Port Impedance	50Ω
LNA Gain	34±2dB
Noise Figure	≤3
Operation Voltage	5±1VDC
Operation Current	≤35mA@5V
Lightning Protection Performance	
Built-in lightning protection tube. During installation, external lightning protection cables are	

required to be installed outdoors to prevent current damage to base station equipment when the cables are struck by lightning.

MECHANICAL

Dimensions

Without Connector $\Phi 77 \times 74 \text{mm}$

Connector N-K

ENVIRONMENTAL

Temperature

Operating -40°C to +55°C

Storage -55°C to +85°C

Waterproof Grade IP67

Guangdong MIDE Communication Technology CO.,Ltd.

www.mide-act.com

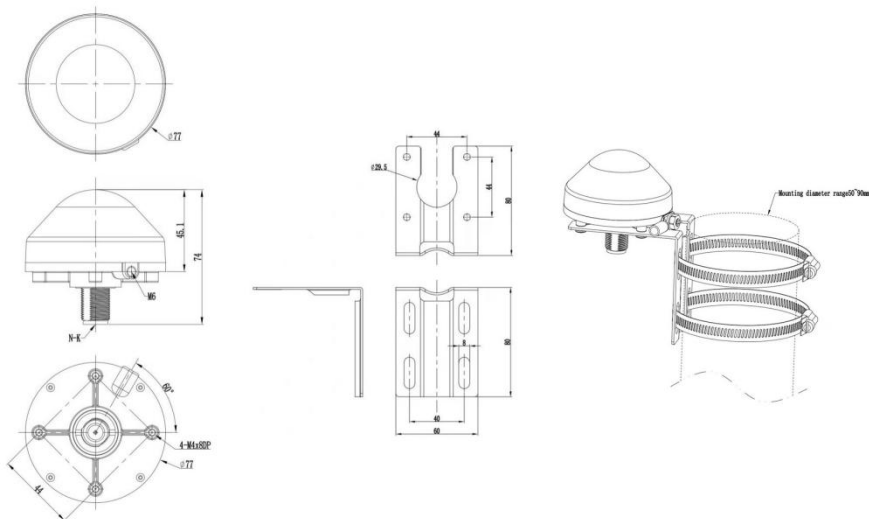
sales@mide-act.com

Room 405, Building 7, NO.1 XueFu Road, Songshan Lake District, Dongguan City, Guangdong Province, China.

Tel: +86-0769-23329096

Fax: +86-0769-23329020

Structure & Phase Center Drawing (mm)



Undeclared tolerance: ±0.3mm